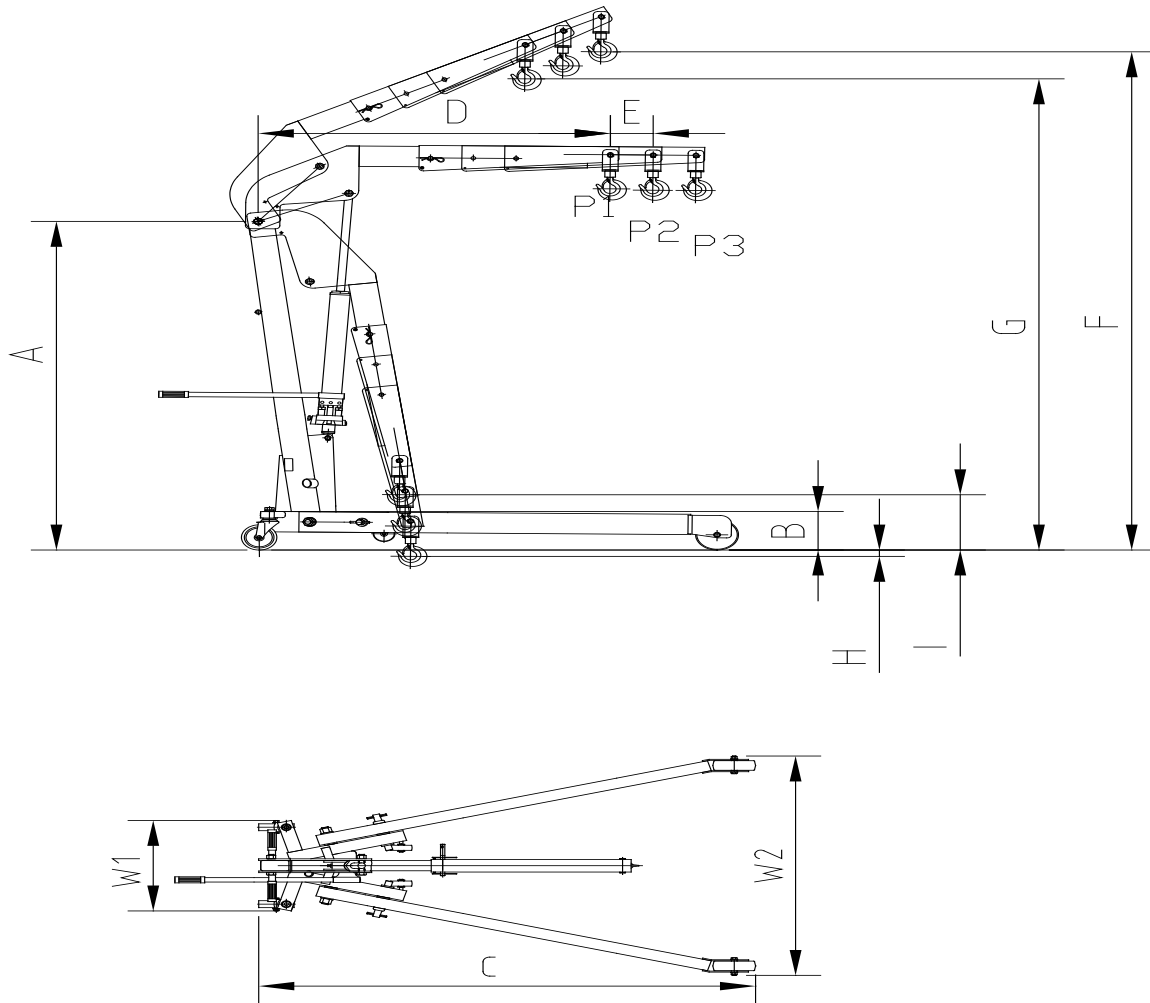


# SHOP CRANE SC-C



Model	Capacity at Position (kg)			Net weight (kg)	Packing size (cm)
	P1	P2	P3		
SC1000C	1000	800	700	115	175x50x65

	P1	P2	P3	A	B	C	D	E	F	G	H	I	W1	W2
SC1000A	1000	800	700	1597	90	1749	1231	150	2450	2320	-	280	460	1100