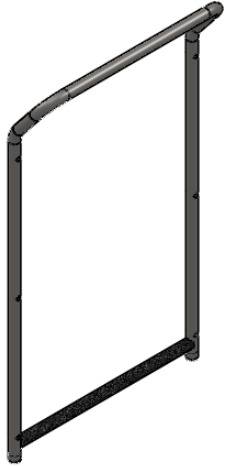
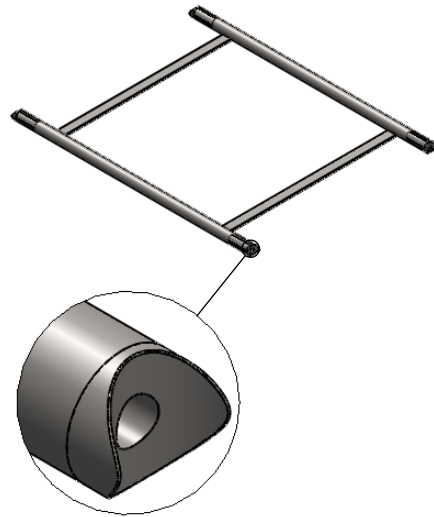


ASSEMBLY INSTRUCTION KM1620

1.Leg
2Pcs



2.Frame shelf
3Pcs



3.Swivel wheel with brake
5377PJP125P30-11GR
2Pcs



4.Swivel wheel without brake
5370PJP125P30-11GR
2Pcs



5.Round head bolt M8x60 12Pcs



6.Round head bolt M10x30 & Lock washer 4Set



7.Hex key 5mm 1Pc



8.Hex key 6mm 1Pc

