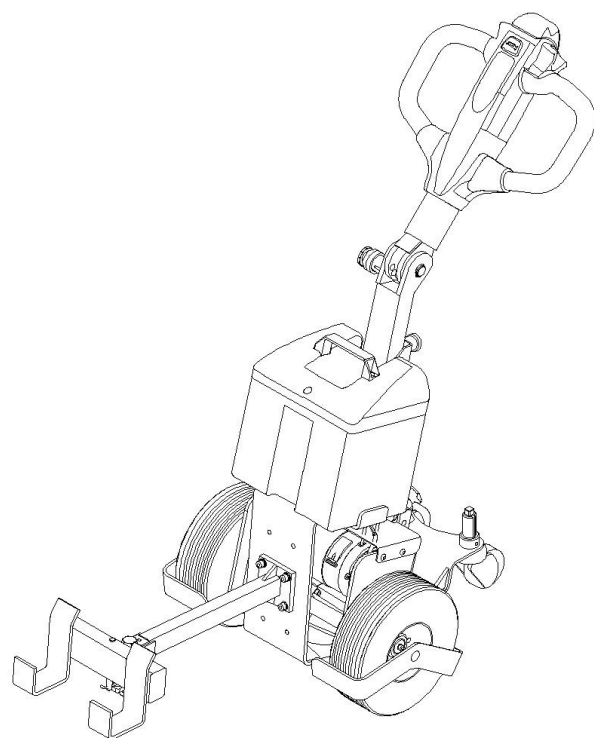


SPAREPARTS LIST

Electric Tow Tractor T E10



Version 12/2013

From truck identification number:

45130700004

T E10-BPT-001-EN

Catalogue

Fig.1 Label (for EU)	1
Fig.2 Label (for US)	2
Fig.3 Outline	4
Fig.4 Dragging Frame(一).....	5
Fig.5 Dragging Frame (二)	6
Fig.6 Dragging Frame (三)	7
Fig.7 Dragging Frame (四)	9
Fig.8 Truck Frame	11
Fig.9 Drive System	13
Fig.10 Tiller Arm	14
Fig.11 Battery	17
Fig.12 Tiller	19
Fig.13 Instruments Board Assembly	21
Fig.14 Electronic Control Assembly	23
Fig.15 Drive Wheel	25
Fig.16 Cables.....	27
Easy worn parts list.....	28

1 40
 1 40
 1 40
 40
 40
 40
 40
 40
 40

Fig.2 Label (for US)

No.	Art No.	Description	Qty.	Note
A	9000005967	Crane hook label	1	
B	9000008646	ID-plate	1	
C	9000003575	Sign warning stay clear stop truck	1	
D	9000003570	Sticker to read and follow these instruction	1	
E	9000003576	Sign Caution charger	1	
F	9000003577	Sign danger battery	1	
G	9000008583	Sign warning battery size	1	
H	9000003580	Never sit on	1	
I	9000003579	Sign warning electrical devices	1	

ㅁ 1 3 40

ㅁ 1 40

ㅁ 1 40

40

40

40

40

40

ㅁ

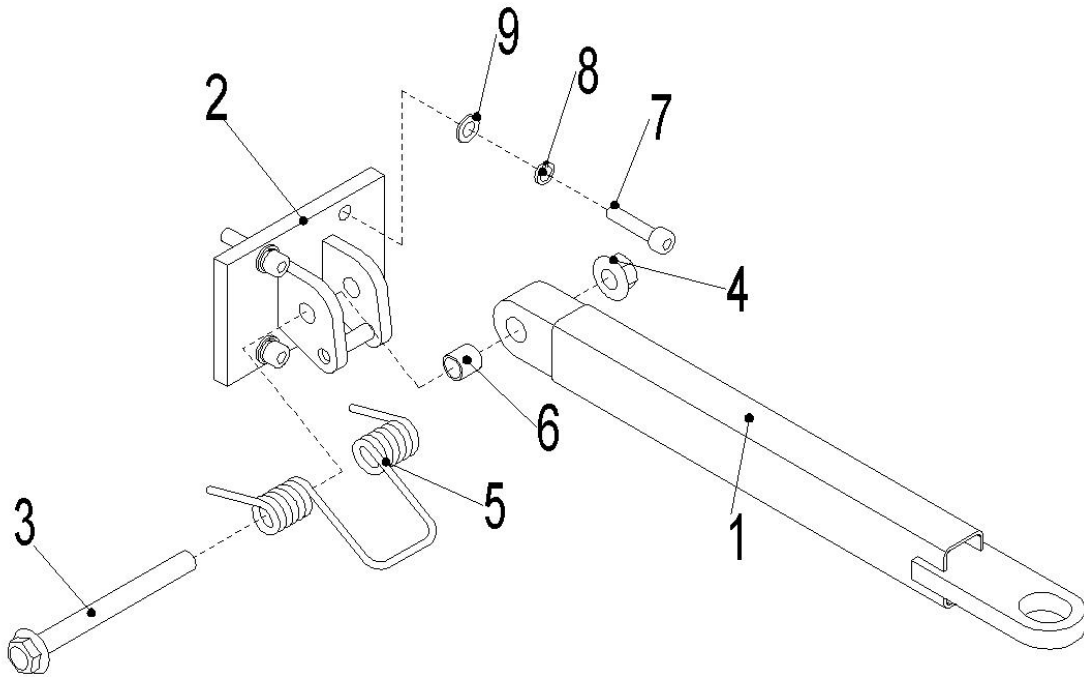


Fig.6 Dragging Frame (三)

No.	Art No.	Description	Qty.	Note
1	9000009536	Welded traction rod	1	
2	9000009537	Welded fixed seat	1	
3	0090000508	Bolt	1	M12x120
4	0090000509	Lock nut	1	M12
5	9000009538	Torsional spring	1	
6	1000413002	Bushing	1	12X15X15
7	0000023455	Screw	4	M8x35
8	0000025001	Washer	4	8
9	0000025011	Washer	4	8

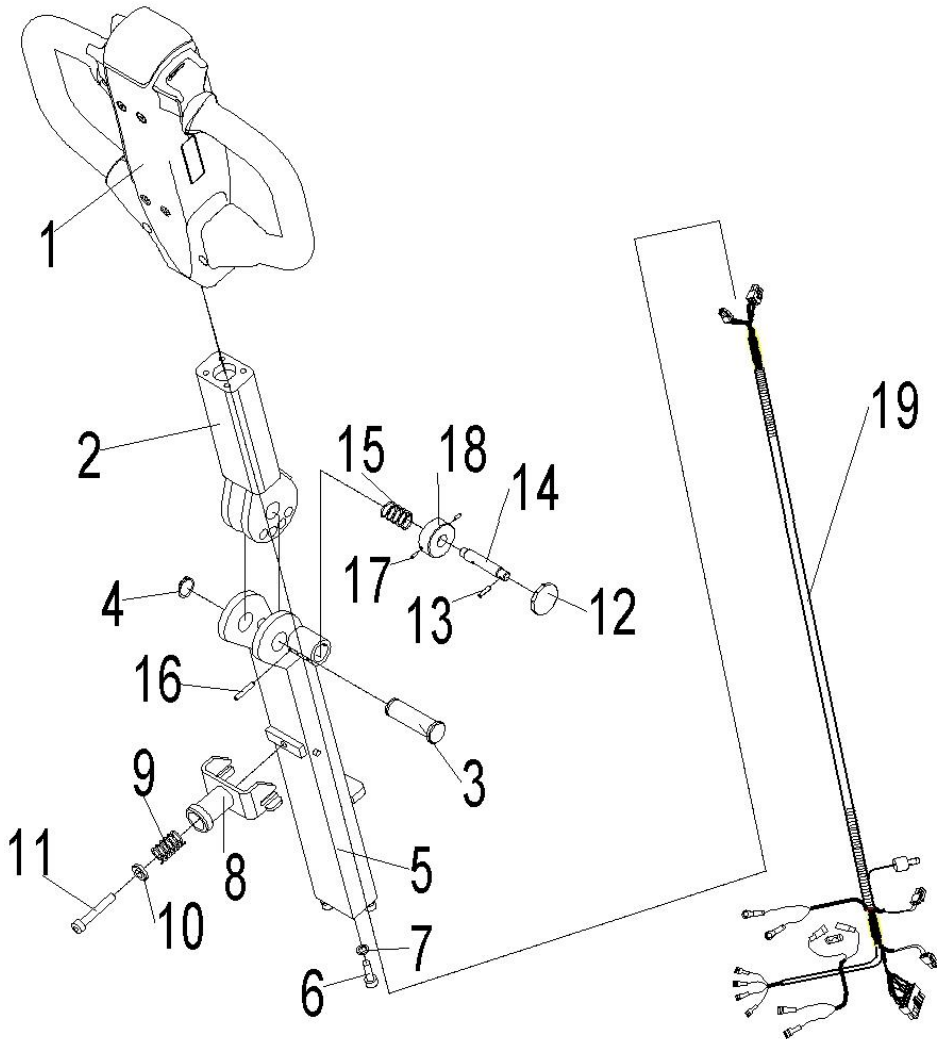
1 40
 1 40
 1 40
 40
 40
 40
 40
 40
 40
 40

6	0000023769	Bolt	1	M16x100
7	0000024011	Nut	1	M16
8	0000023455	Screw	4	M8x35
9	0000025001	Washer	4	8
10	0000025011	Washer	4	8
11	0000025029	Washer	2	16
12	0000024010	Lock nut	1	M16

10
 * 1 40
 * 1 40
 * 1 40
 40
 40
 40
 40
 40
 40
 40

9	9000008193	Subplate	1	
10	0000023067	Screw	4	M8x16
11	0000025001	Washer	4	8
12	0000025011	Washer	4	8
13	9000009541	Drive wheel protective board	2	

Fig.10 Tiller Arm



1 40
 1 40
 1 40
 40
 40
 40
 40
 40
 40
 40

Fig.10 Tiller Arm

No.	Art No.	Description	Qty.	Note
1	1070100002	Tiller	1	
2	9000008194	Tiller arm welding	1	
3	9000008195	Spindle	1	
4	0000026003	Split retaining ring	1	20
5	9000008202	Tiller welding	1	
6	0000023047	Screw	8	M8x25
7	0000025001	Washer	8	8
8	9000008200	Fixed frame welding	1	
9	2210431002	Spring	1	
10	9000008201	Locating bushing	1	
11	0000023584	Screw	1	M8x50
12	2210402002	Hand wheel	1	
13	0000028024	Roll pin	1	4x16
14	9000008197	Locating shaft	1	
15	2210431002	Pressure spring	1	
16	0000028167	Roll pin	1	4x28
17	0090000345	Screw	2	M3x8
18	9000008198	End cap	1	
19	9000008589	Main control cable	1	

1 40
 1 40
 1 40
 40
 40
 40
 40
 40
 40

Fig.11 Battery

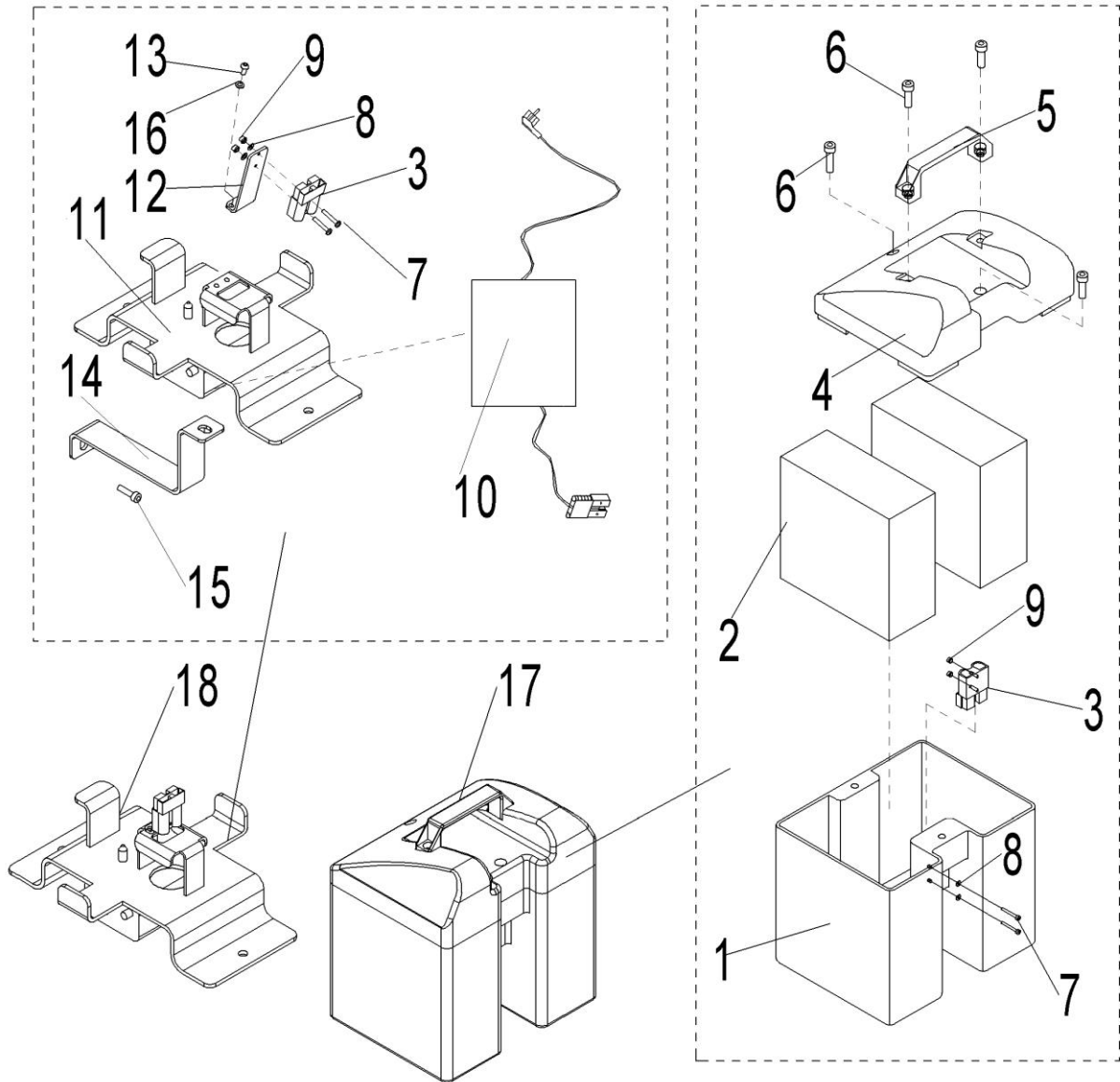


Fig.11 Battery

No.	Art No.	Description	Qty.	Note
1	9000008208	Battery box	1	
2	9000008336	Battery	2	12V/24Ah 5HR

※ 1 40

※ 1 40

※ 1 40

40

40

40

40

40

3	9000009568	SR50 78184-00	2	
4	9000008207	Battery box cover	1	
5	9000007808	Handle	1	
6	0000023047	Screw	4	M8x25
7	0000023043	Screw	4	M4x25
8	0000025019	Washer	4	4
9	0000024004	Lock nut	4	M4
10	9000009534	Charger 24V3A KP120W-31Q	1	Asia
	9000009561			EU
	9000009563			AUS
	9000009565			ENG
	9000009567			US
11	9000009546	Charger seat	1	
12	9000009547	Plug board	1	
13	0000023675	Screw	2	M5x16
14	9000009548	Fixed plate	1	
15	0090000041	Screw	2	M5x10
16	0000024007	Nut	2	M5
17	9000008351	Power supply assembly	1	
18	9000009544	Charger	1	

1. 40
 1. 40
 1. 40
 40
 40
 40
 40
 40
 40

Fig.12 Tiller

No.	Art No.	Description	Qty.	Note
1	9000002189	Handle seat	1	
2	9000002175	Left drive knob	1	
3	9000008334	Accelerator BD-190	1	
4	9000002177	Accelerator connecting part	1	
5	9000002188	Bushing	2	ABS
6	9000002176	Right drive knob	1	
7	0000023304	Screw M3X12	2	8.8
8	0000025003	Washer 3	2	65Mn
9	0000025026	Washer 3	2	Steel
10	0090000190	Screw M3X8	2	4.8
11	0090000189	Screw M4X8	3	8.8
12	9000002358	Handle down cover	1	ABS
13	0000023138	Screw M6X10	4	8.8
14	0000023063	Screw M6X16	2	8.8
15	9000002357	Handle upper cover	1	ABS
16	9000002310	Proximity switch fixing part	2	
17	9000002161	Proximity switch SS-5GL2	2	
18	0090000261	Screw	4	ST2.2X13
19	0090000262	Screw	4	ST2.2X9.5

20
 * 1 40
 * 1 40
 * 1 40
 40
 40
 40
 40
 40
 40
 40

20	9000002180	Belly seat	1	
21	9000002181	Belly inner seat	1	
22	9000002182	Spring 0.8	4	
23	9000002186	Spring 0.6	2	
24	9000002183	Horn button	1	
25	9000002356	Label	1	ABS

Fig.13 Instruments Board Assembly

1 40
 1 40
 1 40
 40
 40
 40
 40
 40
 40

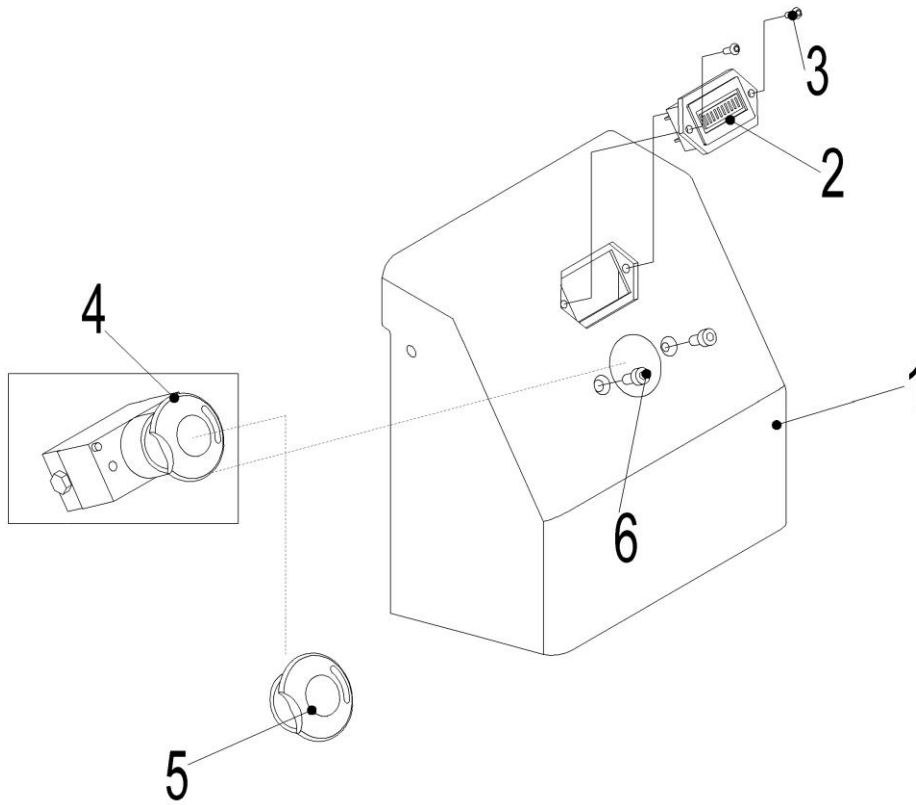


Fig.13 Instruments Board Assembly

No.	Art No.	Description	Qty.	Note
1	9000008203	Controller box	1	
2	9000001976	Indicator	1	Curtis906T24BNB
3	0000023083	Screw	2	M3x8
4	1070334008	Emergency switch	1	S100/80
5	9000002163	Emergency switch	1	S100/80
6	0000023311	Screw	2	M5x10

1 40
 1 40
 1 40
 40
 40
 40
 40
 40
 40
 40

22	1000403004	Line buckle	2	UC-2
23	1020434002	M8 terminal	1	BD-M8

Fig.15 Drive Wheel

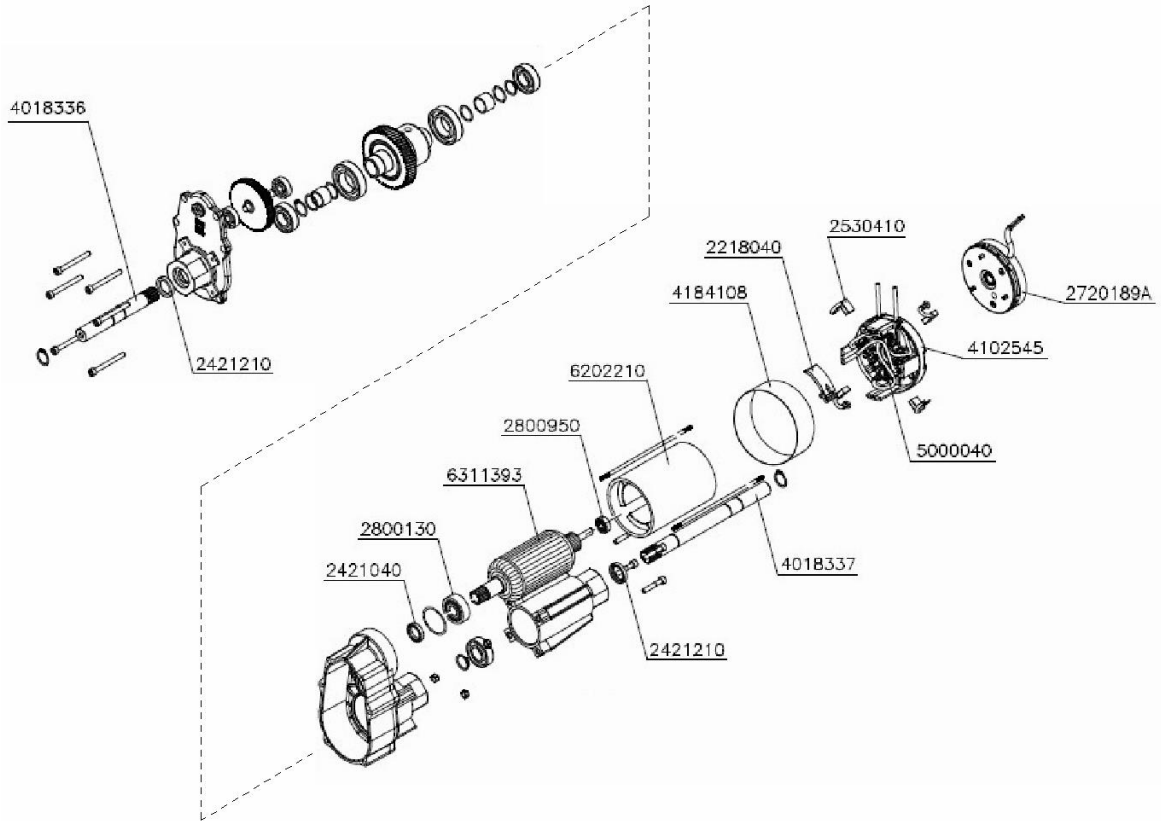


Fig.15 Drive Wheel

No.	Art No.	Description	Qty.	Note
1	2421040	Motor seal	1	
2	2218040	Safety hook	1	
3	2800950	Ballbearing	1	
4	6202210	Stator	1	
5	6311393	Armature	1	
6	2800130	Ballbearing	1	

4018336 * 1 4018336 40
 2421210 * 1 2421210 40
 2218040 * 1 2218040 40
 2530410 * 1 2530410 40
 2720189A * 1 2720189A 40
 4102545 * 1 4102545 40
 5000040 * 1 5000040 40
 4184108 * 1 4184108 40
 6202210 * 1 6202210 40
 2800950 * 1 2800950 40
 6311393 * 1 6311393 40
 2800130 * 1 2800130 40
 2421040 * 1 2421040 40
 2800130 * 1 2800130 40
 6311393 * 1 6311393 40
 2800950 * 1 2800950 40
 6202210 * 1 6202210 40
 4018337 * 1 4018337 40
 2421210 * 1 2421210 40

Fig.16 Cables

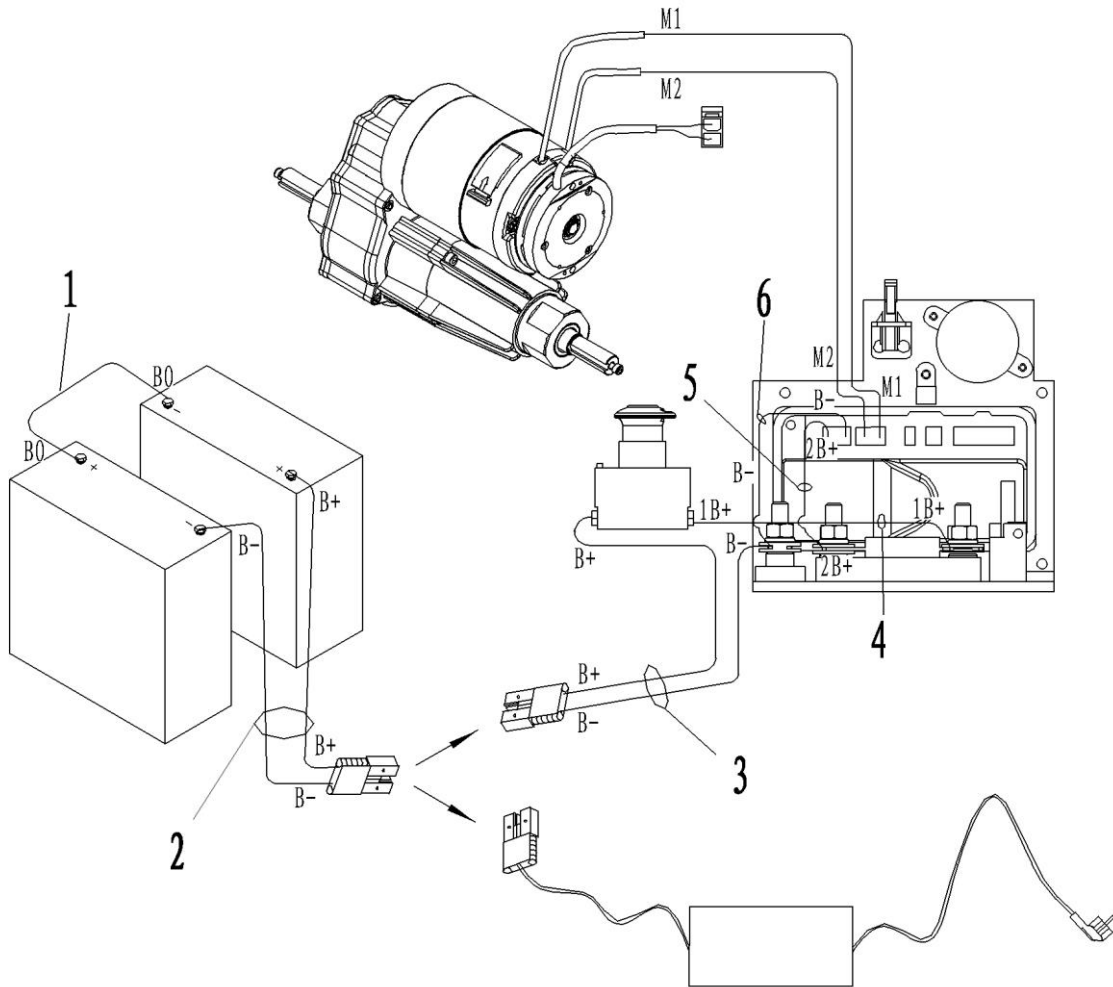


Fig.16 Cables

No.	Art No.	Description	Qty.	Note
1	9000008592	B0 cable	1	
2	9000008590	Battery power cable	1	
3	9000008591	Main power cable	1	

※ 1 40

※ 1 40

※ 1 40

40

40

40

40

40

40

4	9000008593	1B+ cable	1	
5	9000008594	2B+ cable	1	
6	9000008595	B- cable	1	

Easy worn parts list

No.	Part number	Name	Qty.	Fig./Position	Note
1	9000009568	SR50 78184-00	2	Fig.8/8	Truck frame
2	2550100001	Steering wheel	2	Fig.8/17	
3	9000008189	Wheel assembly	2	Fig.9/1	Drive system
4	9000008208	Battery box	1	Fig.11/1	Battery
5	9000009568	SR50 78184-00	1	Fig.11/3	
6	9000008207	Battery box cover	1	Fig.11/4	
7	9000002161	Proximity switch	2	Fig.10/217	Tiller
8	1070334008	Emergency switch S100/80	1	Fig.13/4	Instruments Board Assembly
9	9000002163	Emergency switch S100/80 key	1	Fig.13/5	
10	9000008642	Fuse 30A	1	Fig.14/15	Electronic Control Assembly
11	1000434040	Fuse 10A	1	Fig.14/19	

1 40
 1 40
 1 40
 40
 40
 40
 40
 40
 40
 40